

AIRVOLUTION-D 780

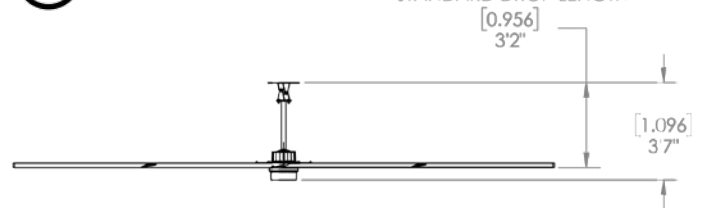


STANDARD FEATURES

- Clearcoat anodized patented airfoil blades with centrifugal cooling
- Forward, reverse, variable speed
- Wash Down Duty rated, IP65 for indoor and outdoor use
- On-board AirBrain adapts to input voltages and optimizes motor control
- Integrates with building automation systems
- Digital wall controller with fault code access
- 50,000-hour warranty
- Safety components: safety cable, universal mount with guy wires, blade retainer links



ILLUSTRATION SHOWN WITH STANDARD DROP LENGTH



VOLTAGE

Item #	Voltage Options	Single Phase, Qty	Three Phase, Qty
P780-780L-MA	AVD 780 Low Voltage - 208-277V +/-5%, 50/60 Hz		
P780-780H-MA	AVD 780 High Voltage - 380-600V +/-5%, 50/60 Hz	--	

DIAMETERS

Item #	Diameter	Power Usage	Industrial Spacing	Qty
60-10020-00	20 ft / 6.10 m	1,180 W	105 ft [32 m]	
60-10024-00	24 ft / 7.32 m	1,550 W	115 ft [35.1 m]	

MOUNTING

Item #	Mount Options	Qty
60-50103-00	AVD Universal Mount: I-beam Hardware Kit (Standard)	
60-50109-00	Rapid Mount Industrial: I-beam Hardware Kit	
60-40041-00	Glulam Hardware Kit	

ADDITIONAL OPTIONS

Item #	Description	Qty
10-60200-00	AVD Fuse Disconnect Switch	
10-40195-00	Noise Dampener	
60-41001-00	AVD 550/780 Light Kit, Digital Remote	
60-41002-00	AVD 550/780/AVD3 Light Kit, Building Circuit	
30-04003-00	MacroAir Network Controller 6	
30-10003-00	MacroAir Network Controller 30	
30-10010-00	AirLynk - BacNet	
30-10011-00	AirLynk - LonWorks	
10-80632-00	Repeater	

AIRVOLUTION-D 780

BASIC SPECIFICATIONS

AIRFOIL DIAMETER	20ft	24ft
Airfoil Style	7.375" Extruded Anodized Aluminum Airfoil	
Number of Airfoils	6	
PERFORMANCE		
Max Displacement Forward*	250,000 CFM [7,070 CMM]	346,000 CFM [9,800 CMM]
Max Displacement Reverse*	187,000 CFM [5,300 CMM]	256,000 CFM [7,250 CMM]
Max Speed	75 RPM	64 RPM
Max Power Usage	1,180 W	1,550 W
Recommended Industry Spacing**	105 ft [32 m]	115 ft [35.1 m]
Max Affected Area***	20,000 ft ² [1,858 m ²]	22,000 ft ² [2,044 m ²]
Sound Level dBA at Max Speed****	57	56
WEIGHT		
Hanging Weight	214 lbs [97.1 kg]	239 lbs [108.4 kg]
MOTOR AND DRIVE TRAIN		
Motor Type	Gearless Direct Drive	
Equivalent Horsepower Rating	2.1 HP	
Max Operating Temp	140°F [60°C]	
MAX AMP DRAW / RECOMMENDED FUSE		
208-240 VAC Single Phase	12.5A / 15	15.1A / 20
277 VAC Single Phase	9.4A / 10	11.3A / 15
208-240 VAC Three Phase	6.8A / 10	8.2A / 10
380 VAC Three Phase	3.7A / 5	4.5A / 5
480 VAC Three Phase	2.9A / 5	3.5A / 5
600 VAC Three Phase	2.3A / 5	2.8A / 5
POWER AND CONTROLS		
Power Source High	Three Phase (380-600) VAC +/-5%, 50/60 Hz	
Power Source Low	Single Phase or Three Phase (208-277) VAC +/-5%, 50/60 Hz	
Control Options	Digital Touchpad, MacroAir Controller 6 and 30, AirLynk - BacNet / LonWorks	
INSTALLATION		
Mounting Hardware	Universal Mount	
Drop Length	In addition to the standard drop length supplied, optional drop lengths are available in 1in increments; guy wires required with Universal Mount; with Rapid Mount guy wires are optional	
RATINGS AND COMPLIANCE		
Fire and Sprinkler	NFPA Compliant	
Wash Down Duty Rating	IP65	
Certifications	UL 507, CE	

*Calculation based on AMCA 230-99 equation

**Delivers 2.8-4.2 ft/s [0.86-1.27 m/s] of average air speed in the occupied space. This relates to perceived cooling or set point change of 4.9-6.1 F [2.7-4.3 C]. Consult our online AirViz tool for more details

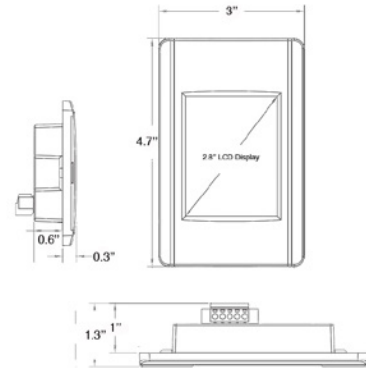
***Delivers 2.7-3.8 ft/s [0.82-1.16 m/s] of average air speed in the occupied space. This relates to a perceived cooling or set point change of 4.8-5.8 F [2.6-3.2 C]. Consult our online AirViz tool for more details.

****Sound testing taken with the sensor 5 ft above the ground and 20 ft from the center of the fan at 20 ft high.

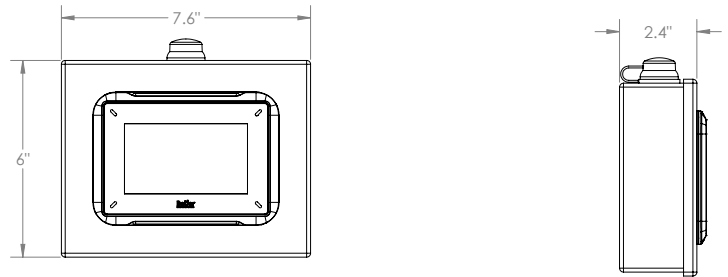
AIRVOLUTION-D 780

CONTROL OPTIONS

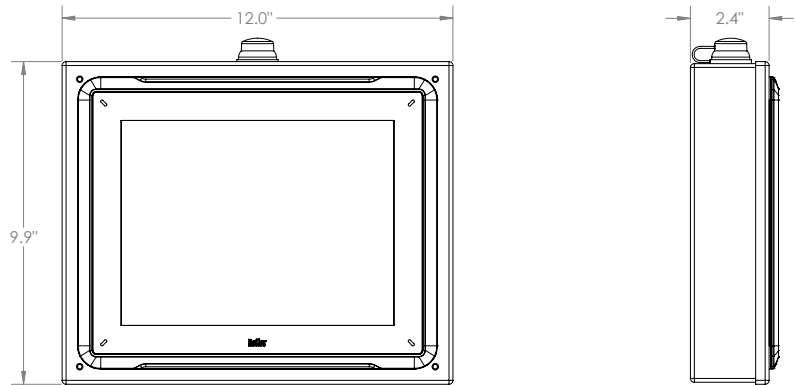
Digital Touchpad Controller



MacroAirController 6



MacroAirController 30



PROJECT

Project Information

Job Name _____
 Address _____
 City _____ State _____
 Distributor _____
 Quantity _____

Certified By

Name _____
 Company _____
 Address _____
 City _____ State _____
 Date _____